

MODBUS I/O MODULE MIO 12-V

MIO 12-V is an I/O module for Modbus that reads four analogue inputs (0...10 V) or four digital inputs. Each individual input can be set to work as an analogue or digital input.

The module can control thermal or 3-point actuators and also four 0...10 V analogue outputs.

Triac outputs are divided into two blocks t1 (=A1 and B1) and t2 (=A2 and B2). The outputs of each block can be set to work as a digital (ON/OFF) output, as a thermal actuator or as a 3-point controlled output.

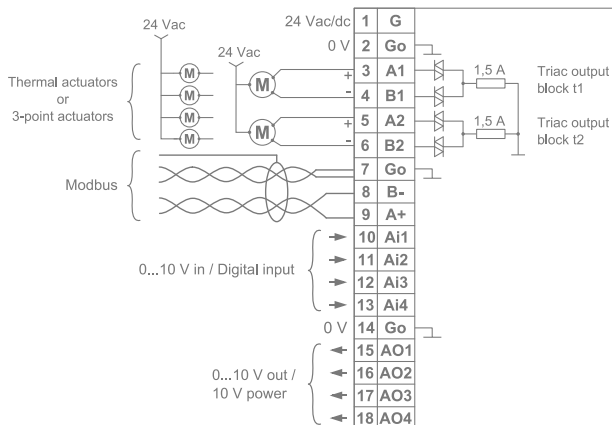
Thermal actuator outputs are working in cycles of about 20 seconds.

The 3-point actuator needs two outputs (A1 and B1 or A2 and B2).

Commissioning, settings and monitoring of the functions of the module can be done by using the display and push buttons.

Up to 128 devices can be connected to one Modbus segment.

Wiring:



Technical data

supply	24 Vac/dc (20...26 V), 2 VA
inputs	NOTE: Triac outputs (A1, B1, A2 and B2) do not work with 24 Vdc supply. 4 x 0...10 V or 4 x DI, pot. free contact
outputs	4 x 0...10 Vdc, 2 mA OR 4 x 10 Vdc, 2 mA AND 4 x 24 Vac (2 x 1.5 A), for thermal actuators or for two 3-point actuators OR 4 x DO (ON/OFF = 24 Vac/0 V)
terminals	2.5 mm ² , plug-in connectors
communication	RS-485 Modbus RTU
display	LCD, for commissioning and monitoring
push buttons	for commissioning and monitoring
ambient temperature	5...40 °C
ambient humidity	0...95 % RH (non-condensing)
housing	IP20
mounting	on the 35 mm DIN rail
dimensions (w x h x d)	53 x 90 x 58 mm

Ordering guide:

Model	Product number	Description
MIO 12-V	1181310	I/O module 0...10 V or digital inputs

Products fulfill the requirements of directive 2004/108/EU and are in accordance with the standards EN61000-6-3 (Emission) and EN61000-6-2 (Immunity).